

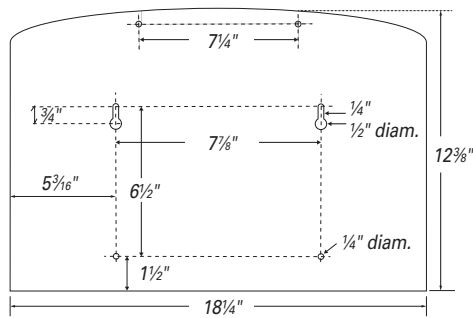


Download a **FREE**
patient education sign at
AliMed.com/ic-signs

Consumables
not included

Primary Areas For Placement

- Ideal for use in patient/public waiting areas, offices, lobbies, or any facility points of entry
- Also for use in Emergency and Admitting departments, Outpatient Radiology/MRI departments, outpatient labs, or pharmacies



Mounting Specifications

Packaging Includes

- Infection Prevention Station with two keys
- Vertical Sign Holder with assembly hardware
- (4x) Self-adhesive rubber feet for countertop placement

Product Specifications

Station Dimensions:

- 18¹/₄"W x 12³/₈"H x 5"D (46.4 cm x 31.1 cm x 12.7 cm)

Vertical Sign Holder:

- Holds 8¹/₂"W x 11"H sign (21.6 cm x 27.9 cm)
- Made of clear plexiglass

Overall Specifications:

- 18¹/₄"W x 25¹/₄"H x 5"D assembled with sign (46.4 cm x 64.1 cm x 12.7 cm)
- Weight: 10 lbs. (4.5 kg)
- Station made of 1.2-mm thick cold-rolled steel
- Keyholes for wall mounting (hardware not included)
- Beige

Capacity

- Holds two boxes of earloop-style face masks, one to two boxes of facial tissues or gloves, and one hand sanitizer bottle or sanitizing wipes canister
- Standard size earloop-style face mask box(es) up to: 8¹/₄"W x 4⁵/₁₆"H x 4¹/₂"D (21.6 cm x 11.7 cm x 11.4 cm)
- Standard size facial tissue or glove box(es) up to: 5⁵/₁₆"W x 10¹/₄"H x 4¹/₂"D (13.7 cm x 26 cm x 11.4 cm)
- Standard size bottle or canister of hand sanitizer or wipes: 4¹/₂"W x 4¹/₄"D (11.4 cm x 10.8 cm)

Packaging Specifications

- Quantity: 1 per box
- Box size: 20"W x 14¹/₂"H x 7¹/₂"D (51 cm x 37 cm x 19 cm)

Care and Cleaning Instructions

- Clean with a non-abrasive cloth using a diluted solution of mild, non-abrasive detergent or standard hospital disinfectants.
- Dry with a soft, non-abrasive cloth.

See p. 2 for assembly instructions

#960877 Infection Prevention Station—Counter/Wall

Assembly Instructions

Always securely assemble and mount dispensers prior to adding consumables.

Parts Included:

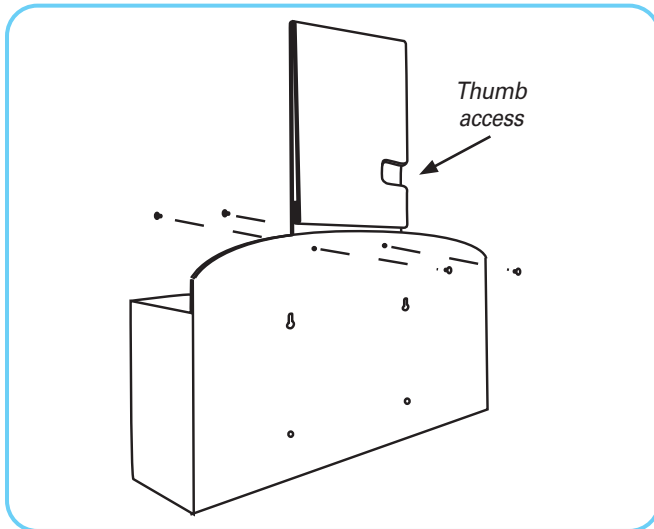
- Station, Sign Holder

Hardware Included:

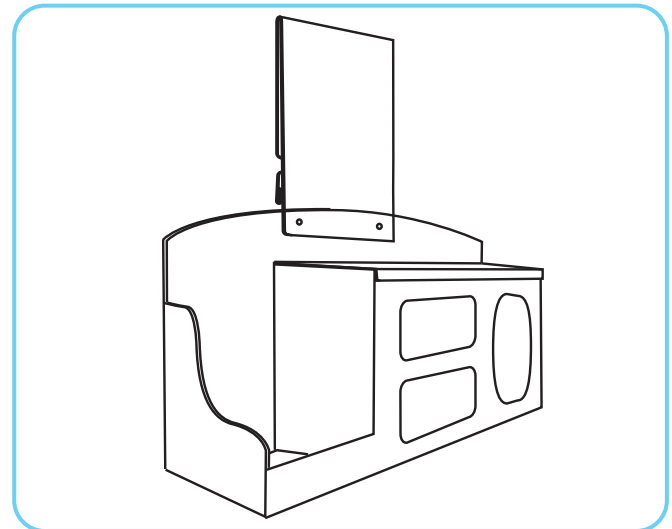
- (2x) Barrel screws
- (4x) Self-adhesive rubber feet

Tools Required:

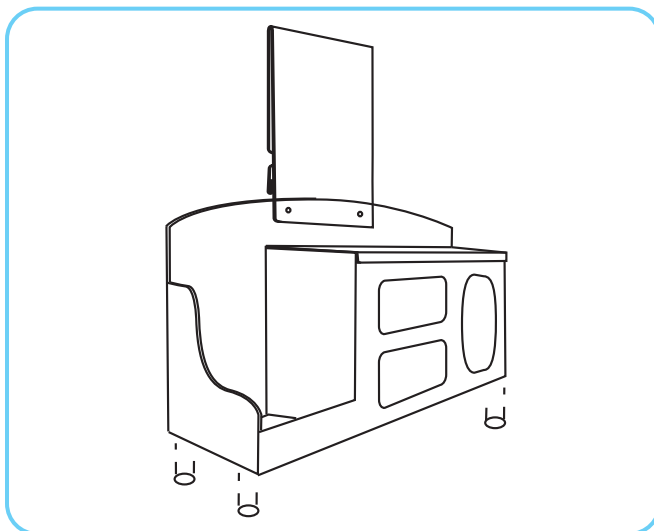
- Screwdriver



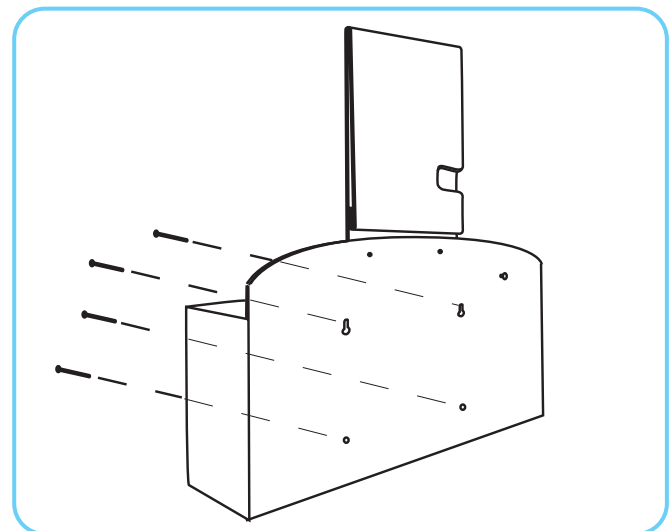
- 1.** To mount the sign holder, align the holes of the holder with the holes at the top of the station. Thumb access to printed sign faces back of station.



- 2.** Use screwdriver to secure sign holder to station with (2x) barrel screws. Do not over tighten.



- 3.** For countertop placement, attach (4x) self-adhesive rubber feet at each of the bottom corners.



- 4.** Station can also be mounted securely to a wall via keyholes and screw holes in back with screws approved and supplied by building maintenance. All four mounting holes provided must be used.

Visit [AliMed.com/ic](https://www.AliMed.com/ic) for our full line of Infection Prevention Stations

Unit is intended for dispensing PPE product only. Other products are not recommended.
Content provided is subject to change. Drawing dimensions are approximate.

Pub. #7864 Product #11568
©2020 AliMed® Inc. All rights reserved.